

# 4L-QSFP28C

QSFP28 100GBASE, Passive Direct Attach Cooper Twinax Cable



## Applications

- 100GBASE Ethernet
- Enterprise and Datacenter Networks
- Infiniband EDR
- Fibre Channel over Ethernet
- Other optical links

## Features

- QSFP28 SFF8665 8426 Compliant
- 4-Channel Full-Duplex Passive Copper Cable Transceiver
- QSFP MSA Compliant
- Up to 27.78Gbps (per channel)
- IEEE 802.3bj 100GEBASE-CR4
- Digital Diagnostic Monitoring
- RoHS and Lead Free
- Operating temperature: 0°C ~ +70°C

## Description

The 4L-QSFP28Cxx are a passive Direct Attach Cable (DAC) QSFP28 transceivers series for data communications such as 100GBASE-CR4 defined by IEEE 802.3bj.

4LAN's DAC cables are designed to connect switches, routers, servers or storage with high performance in a cost effective way.

Quick access to other products:

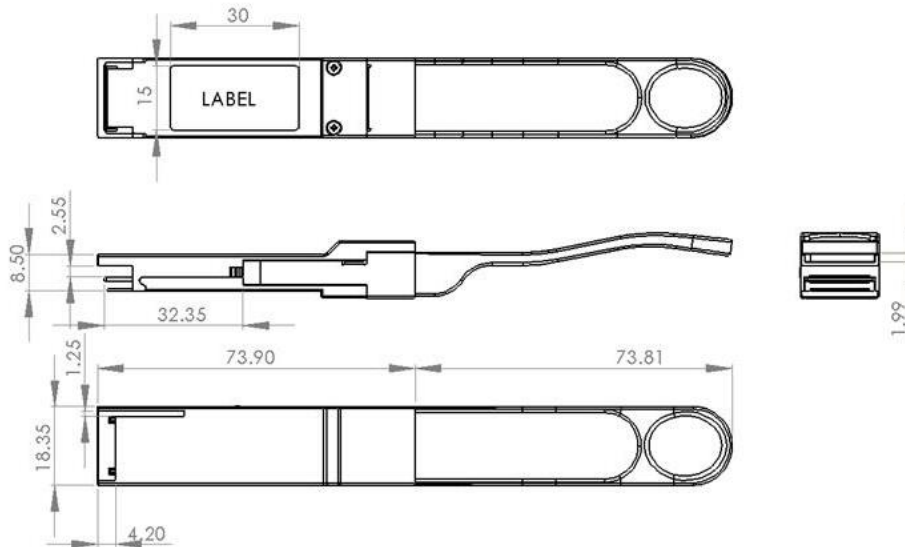
[SFP 1G](#) [SFP+10G](#) [XFP 10G](#) [QSFP40G](#) [SFP28 25G](#) [QSFP28 100G](#) [DWDM](#)

[www.4-lan.com](http://www.4-lan.com)

## Absolute Maximum Ratings

Parameter	Symbol	Min	Recommended	Max
Max. Link Length	$l_{max}$			1M, 2M, 3M, 4M and 5M
Data Rate Per Lane	Gbps			25.78Gbps
Storage Temperature	$T_c$	-40°C		+85°C
Operating Case Temperature	$T_c$	0°C		+70°C
Supply Voltage	$V_{cc}$	3.14V	3.3V	3.47V

## Mechanical Specifications



Cable Gauge	Minimum Bend Radius (R)	Minimum Bend Space (L)
30 AWG	33mm	72.45mm
26 AWG	42mm	83.25mm

Quick access to other products:

[SFP 1G](#) [SFP+10G](#) [XFP 10G](#) [QSFP40G](#) [SFP28 25G](#) [QSFP28 100G](#) [DWDM](#)

[www.4-lan.com](http://www.4-lan.com)

## Mechanical Specifications

Plug	
Backshell Material	Nickel-Plated Zinc Diecast
Contact Material	PCBwith Gold-Plated Pads
Latch	Positive Latching w/Pull
Insertion Force	30N Max
Withdrawal Force	20N Max
Retention Force	90N Max
Durability	50 Cycles Min
Cable	
Conductor	Solid
Wire Gauge	AWG30, AWG28, AWG26, AWG24
Impedance	100±5 ohms
Cable OD	AWG 30 :4.2mm
	AWG 28 :4.7mm
	AWG 26:5.2mm
	AWG 24: 6.0mm
Jacket Type	PVC
Bend Radius	5X Cable OD

## General Specifications

Electrical	
Min. Dielectric Withstand Voltage	300 VDC
Insulation Resistance	1000 Mohms
Current Rating	0.5 Amp Min/Signal Contact
General	
Operating Temperature	0 to 70°C
Flammability Rating	UL 94 V-0
Green Features	RoHS, Lead-Free
Shield	Braid/Foil

## Ordering Information

Part Number	Description
4L-QSFP28C1	QSFP28 100G DAC Passive Cable, AWG30, 1m
4L-QSFP28C2	QSFP28 100G DAC Passive Cable, AWG30, 2m
4L-QSFP28C3	QSFP28 100G DAC Passive Cable, AWG30, 3m
4L-QSFP28C4	QSFP28 100G DAC Passive Cable, AWG30, 4m
4L-QSFP28C5	QSFP28 100G DAC Passive Cable, AWG26, 5m

### Note

This modules have been tested by 4LAN on equipments like Cisco, Juniper, Dell, HP, Mikrotik, Huawei, and other brands. The equipment brand must be informed before shipping the order, so the transceivers are reprogrammed to the corresponding brand.

### Contact Information

Website: [www.4-lan.com](http://www.4-lan.com)

Email: [contato@brazilmkt.com.br](mailto:contato@brazilmkt.com.br)

Telephone: +55 11 5521-2522

Quick access to other products:

[SFP 1G](#) [SFP10G](#) [XFP 10G](#) [QSFP40G](#) [SFP28 25G](#) [QSFP28 100G](#) [DWDM](#)

[www.4-lan.com](http://www.4-lan.com)