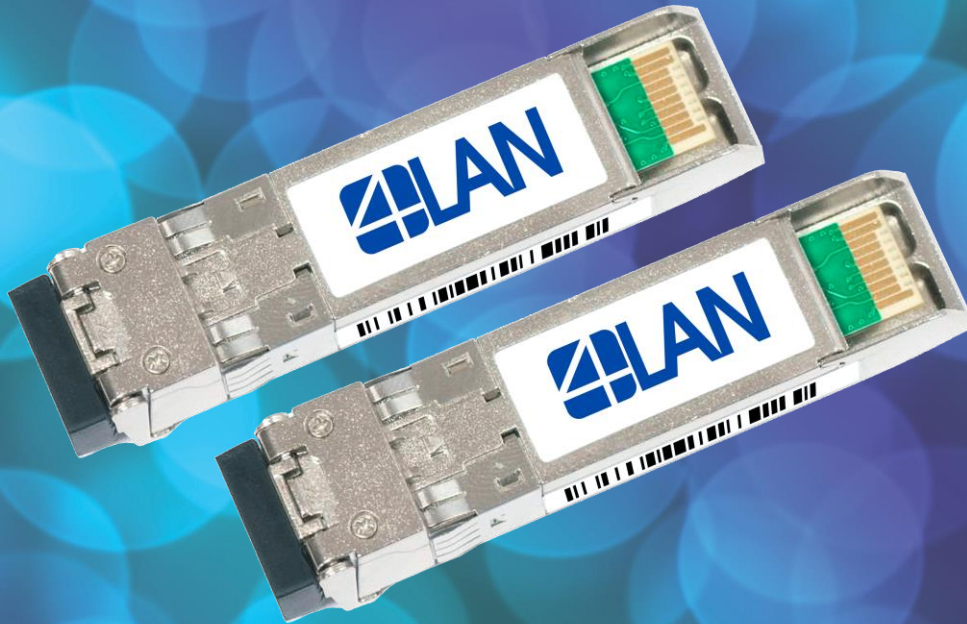


4L-SFB1023-40 & 4L-SFB1032-40

SFP+ 10GBASE-BX, 1270/1330nm, SM, DDM, LC Simplex, 40km



Applications

- Compliant with IEEE 802.3ae 10GBASE-ER and 10GBASE-EW
- Compliant with 10GBASE-LR and 10GBASE-LW
- Supports 9.95Gb/s to 10.3Gb/s data rates
- Other optical links
- OBSAI rates 6.144 Gb/s, 3.072 Gb/s, 1.536 Gb/s, 0.768Gb/s
- CPRI rates 9.830 Gb/s, 7.373Gb/s, 6.144 Gb/s, 4.915 Gb/s, 2.458 Gb/s, 1.229 Gb/s, 0.614Gb/s

Description

The 4L-SFB1023-xx and 4L-SFB1032-xx are single mode SFP transceivers for simplex optical data communications such as 10GBASE-LR/LW defined by IEEE 802.3ae.

This modules are designed to operate with single mode fiber (SMF) and LC connectors using only one fiber at the wavelength 1270nm and 1330nm for Tx and Rx (the wavelengths alternate on each side).

Features

- SFP+ 10G Bidirectional Optical Transceiver
- SFP+ MSA SFF-8431 Compliant
- Up to 40km links on SMF
- DFB laser transmitter
- Digital Diagnostic Monitoring
- RoHS and Lead Free
- Operating temperature: 0°C ~ +70°C
- **4L-SFB1023-40**
 - TX1270nm/RX1330nm
- **4L-SFB1032-40**
 - TX 1330 / RX1270nm

Quick access to other products:

[SFP 1G](#) [SFP+10G](#) [XFP 10G](#) [QSFP+40G](#) [SFP28 25G](#) [QSFP28 100G](#) [DWDM](#)

www.4-lan.com

General Specifications – Absolute Maximum Ratings

Parameter	Symbol	Min	Recommended	Max
Max. Link Length	l_{max}			40km
Optical Budget	dB	16dB		
Storage Temperature	T_c	-40°C		+85°C
Operating Case Temperature	T_c	0°C		+70°C
Supply Voltage	V_{cc}	-0.5V	3.3V	3.6V

Optical Specifications

Transmitter				
Parameter	Symbol	Min	Recommended	Max
Average Output Power	P_{out}	+1dBm		+5dBm
Central Wavelength - Side A	nm	1260nm	1270nm	1280nm
Central Wavelength - Side B	λ_m	1320nm	1330nm	1340nm
Receiver				
Parameter	Symbol	Min	Recommended	Max
Receiver Sensitivity	R_{sen}	-15dBm		
Receiver Overload (Damage)	P_{max}			+0.5dBm
Central Wavelength – Side A	λ_m	1320	1330	1340
Central Wavelength – Side B	λ_m	1260	1270	1280

Quick access to other products:

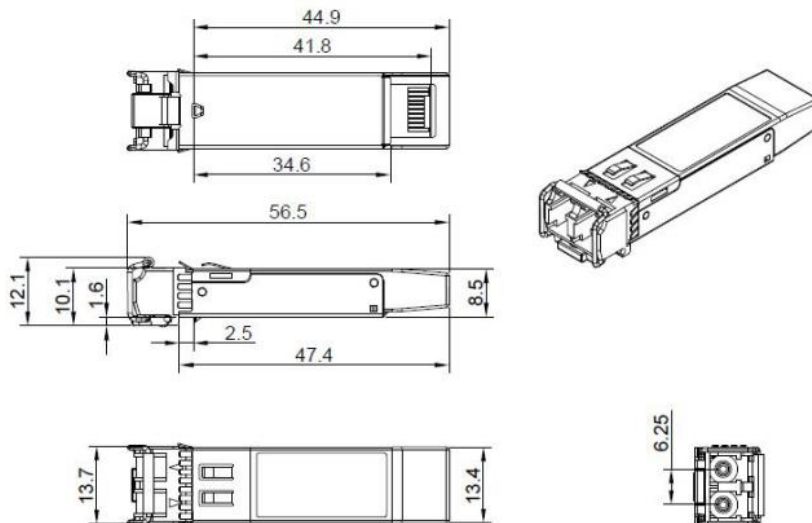
[SFP 1G](#) [SFP+10G](#) [XFP 10G](#) [QSFP+40G](#) [SFP28 25G](#) [QSFP28 100G](#) [DWDM](#)

www.4-lan.com

Electrical Specifications

Parameter	Symbol	Min.	Typical	Max	Unit	Ref.
Supply Voltage	V_{CC}	3.00		3.60	V	1
Supply Current	I_{CC}		200	300	mA	1
Transmitter						
Input differential impedance	R_{in}		100		Ω	2
Single ended data input swing	$V_{in,pp}$	150		1200	mVpp	
Transmit Disable Voltage	V_D	2		V_{CC}	V	
Transmit Enable Voltage	V_{EN}	Vee		Vee+0.8	V	3
Receiver						
Output differential impedance	R_{out}		100		Ω	2
Single ended data output swing	$V_{out,pp}$	300		700	mV	4
LOS Fault	$V_{LOS\ fault}$	2		$V_{CC\ HOST}$	V	5
LOS Normal	$V_{LOS\ norm}$	Vee		Vee+0.8	V	5

Mechanical Specifications



Quick access to other products:

[SFP 1G](#) [SFP+10G](#) [XFP 10G](#) [QSFP+40G](#) [SFP28 25G](#) [QSFP28 100G](#) [DWDM](#)

www.4-lan.com

Ordering Information

Part Number	Description
4L-SFB1023-20	SFP+ 10GBASE-LR, Tx1270/Rx1330nm, SM, DDM, LC Simplex, 20km
4L-SFB1032-20	SFP+ 10GBASE-LR, Tx1330/Rx1270nm, SM, DDM, LC Simplex, 20km
4L-SFB1023-40	SFP+ 10GBASE-LR, Tx1270/Rx1330nm, SM, DDM, LC Simplex, 40km
4L-SFB1032-40	SFP+ 10GBASE-LR, Tx1330/Rx1270nm, SM, DDM, LC Simplex, 40km
4L-SFB1023-60	SFP+ 10GBASE-LR, Tx1270/Rx1330nm, SM, DDM, LC Simplex, 60km
4L-SFB1032-60	SFP+ 10GBASE-LR, Tx1330/Rx1270nm, SM, DDM, LC Simplex, 60km
4L-SFB1045-80	SFP+ 10GBASE-LR, Tx1490/Rx1550nm, SM, DDM, LC Simplex, 80km
4L-SFB1054-80	SFP+ 10GBASE-LR, Tx1550/Rx1490nm, SM, DDM, LC Simplex, 80km
4L-SFB1045-100	SFP+ 10GBASE-LR, Tx1490/Rx1550nm, SM, DDM, LC Simplex, 100km
4L-SFB1054-100	SFP+ 10GBASE-LR, Tx1550/Rx1490nm, SM, DDM, LC Simplex, 100km

Note

This modules have been tested by 4LAN on equipments like Cisco, Juniper, Dell, HP, Mikrotik, Huawei, and other brands. The equipment brand must be informed before shipping the order, so the transceivers are reprogrammed to the corresponding brand.

Contact Information

Website: www.4-lan.com

Email: contato@brazilmkt.com.br

Telephone: +55 11 5521-2522

Quick access to other products:

[SFP 1G](#) [SFP+10G](#) [XFP 10G](#) [QSFP+40G](#) [SFP28 25G](#) [QSFP28 100G](#) [DWDM](#)

www.4-lan.com