

4L-Q404SFP

QSFP+ 40GBASE to 4x SFP+ 10G,
Passive Direct Attach Cooper Twinax Breakout Cable



Applications

- 40G/10GBASE Ethernet
- 4x InfiniBand QDR, DDR, SDR
- Enterprise and Datacenter Networks
- Fibre Channel over Ethernet
- Other optical links

Features

- QSFP+ 40G SFF8436 Compliant
- SFP+ 10G SFF8431 Compliant
- 1x QSFP+ to 4x SFP+ connectors
- Passive Copper Cable Transceiver
- QSFP and SFP+ MSA Compliant
- Up to 10Gbps per channel
- IEEE 802.3 Compliant
- Digital Diagnostic Monitoring
- RoHS and Lead Free
- Operating temperature: 0°C ~ +70°C

Description

The 4L-Q404SFP are a passive Direct Attach Breakout Cables (DAC) series with one QSFP+ 40G connector on one side and four SFP+ 10Gbps transceivers on the other end of the cable. This breakout cable allows to connect one 40G QSFP port with four 10G SFP+ ports. 4LAN's DAC cables are designed to connect switches, routers, servers or storage with high performance in a cost effective way.

Quick access to other products:

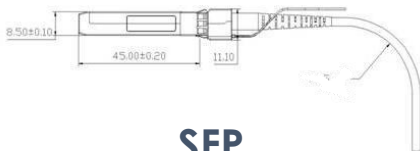
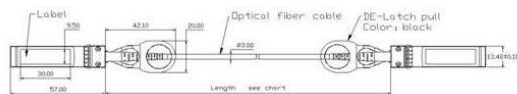
[SFP 1G](#) [SFP+10G](#) [XFP 10G](#) [QSFP40G](#) [SFP28 25G](#) [QSFP28 100G](#) [DWDM](#)

www.4-lan.com

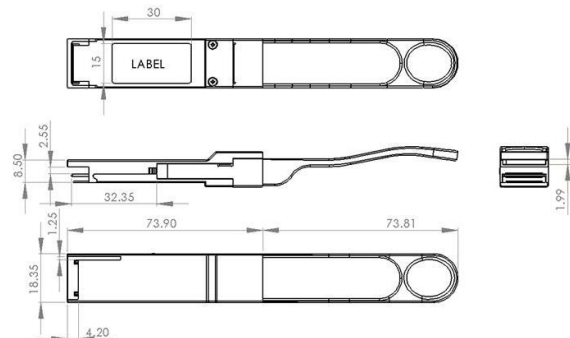
Absolute Maximum Ratings

Parameter	Symbol	Min	Recommended	Max
Max. Link Length	l_{max}			1M up to 7M
Connectors Side A			1x QSFP+ 40G	
Connectors Side B			4x SFP+ 10G	
Data Rate	Gbps			40Gbps
Storage Temperature	T_c	-40°C		+85°C
Operating Case Temperature	T_c	0°C		+70°C
Supply Voltage	V_{cc}	3.14V	3.3V	3.47V

Mechanical Specifications



SFP



QSFP

Cable Gauge	Diameter	Minimum Bend Radius (R)	Minimum Bend Space (L)
30 AWG	4.2mm	33mm	72.5mm
26 AWG	5.2mm	46mm	72.5mm
24 AWG	6.0mm	42mm	85.25mm

Quick access to other products:

[SFP 1G](#) [SFP+10G](#) [XFP 10G](#) [QSFP40G](#) [SFP28 25G](#) [QSFP28 100G](#) [DWDM](#)

www.4-lan.com

Mechanical Specifications

Plug

Backshell Material	Nickel-Plated Zinc Diecast
Contact Material	PCBwith Gold-Plated Pads
Latch	Positive Latching w/Pull
Insertion Force	30N Max
Withdrawal Force	20N Max
Retention Force	90N Max
Durability	50 Cycles Min

Cable

Conductor	Solid
Wire Gauge	AWG30, AWG28, AWG26, AWG24
Impedance	100±5 ohms
Cable OD	AWG 30 :4.2mm
	AWG 28 :4.7mm
	AWG 26:5.2mm
	AWG 24: 6.0mm
Jacket Type	PVC
Bend Radius	5X Cable OD

General Specifications

Electrical	
Min. Dielectric Withstand Voltage	300 VDC
Insulation Resistance	1000 Mohms
Current Rating	0.5 Amp Min/Signal Contact
General	
Operating Temperature	0 to 70°C
Flammability Rating	UL 94 V-0
Green Features	RoHS, Lead-Free
Shield	Braid/Foil

Ordering Information

Part Number	Description
4L-Q404SFP1	QSFP+ 40G to 4x SFP+ 10G Breakout DAC Passive Cable, AWG30, 1m
4L-Q404SFP3	QSFP+ 40G to 4x SFP+ 10G Breakout DAC Passive Cable, AWG30, 3m
4L-Q404SFP5	QSFP+ 40G to 4x SFP+ 10G Breakout DAC Passive Cable, AWG26, 5m
4L-Q404SFP7	QSFP+ 40G to 4x SFP+ 10G Breakout DAC Passive Cable, AWG24, 7m

Note

This modules have been tested by 4LAN on equipments like Cisco, Juniper, Dell, HP, Mikrotik, Huawei, and other brands. The equipment brand must be informed before shipping the order, so the transceivers are reprogrammed to the corresponding brand.

Contact Information

Website: www.4-lan.com

Email: contato@brazilmkt.com.br

Telephone: +55 11 5521-2522

Quick access to other products:

[SFP 1G](#) [SFP10G](#) [XFP 10G](#) [QSFP40G](#) [SFP28 25G](#) [QSFP28 100G](#) [DWDM](#)

www.4-lan.com