

# 4L-XFB10G2733-20 & 4L-XFB10G3327-20

XFP 10GBASE-BX, 1270/1330nm, SM, DDM, LC Simplex, 20km



## Applications

- Compliant with IEEE 802.3ae 10GBASE-ER and 10GBASE-EW
- Supports 9.95Gb/s to 10.3Gb/s data rates
- Other optical links
- OBSAI rates 6.144 Gb/s, 3.072 Gb/s, 1.536 Gb/s, 0.768Gb/s
- CPRI rates 9.830 Gb/s, 7.373Gb/s, 6.144 Gb/s, 4.915 Gb/s, 2.458 Gb/s, 1.229 Gb/s, 0.614Gb/s

## Description

The 4L-XFB10G2733-xx and 4L-XFB10G3327-xx are single mode XFP transceivers for duplex optical data communications such as 10GBASE-LR/LW defined by IEEE 802.3ae.

This modules are designed to operate with single mode fiber (SMF) and LC connectors using only one fiber at the wavelength 1270nm and 1330nm for Tx and Rx (the wavelengths alternate on each side).

## Features

- XFP 10G Bidirectional Optical Transceiver
- XFP MSA Compliant
- Up to 20km links on SMF
- DFB laser transmitter
- Digital Diagnostic Monitoring
- RoHS and Lead Free
- Operating temperature: 0°C ~ +70°C
- **4L-XFB10G2733-20**
  - TX1270nm/RX1330nm
- **4L-XFB10G3327-20**
  - TX 1330 / RX1270nm

Quick access to other products:

[SFP1G](#) [XFP10G](#) [XFP10G](#) [QXFP40G](#) [SFP2825G](#) [QSFP28100G](#) [DWDM](#)

[www.4-lan.com](http://www.4-lan.com)

## General Specifications – Absolute Maximum Ratings

Parameter	Symbol	Min	Recommended	Max
Max. Link Length	$l_{max}$			20km
Optical Budget	dB	12dB		
Storage Temperature	$T_c$	-40°C		+85°C
Operating Case Temperature	$T_c$	0°C		+70°C
Supply Voltage	$V_{cc}$	-0.5V	3.3V	3.6V

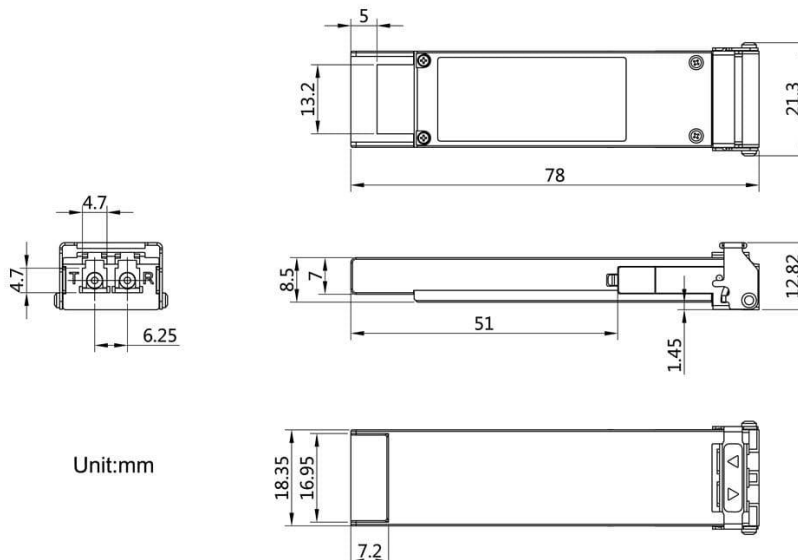
## Optical Specifications

Transmitter				
Parameter	Symbol	Min	Recommended	Max
Average Output Power	$P_{out}$	-2dBm		+3dBm
Central Wavelength - Side A	nm	1260nm	1270nm	1280nm
Central Wavelength - Side B	$\lambda_m$	1320nm	1330nm	1340nm
Receiver				
Parameter	Symbol	Min	Recommended	Max
Receiver Sensitivity	$R_{sen}$	-15dBm		
Receiver Overload (Damage)	$P_{max}$			+0.5dBm
Central Wavelength – Side A	$\lambda_m$	1320	1330	1340
Central Wavelength – Side B	$\lambda_m$	1260	1270	1280

## Electrical Specifications

Parameter	Symbol	Min.	Typical	Max	Unit	Ref.
Supply Voltage	$V_{CC}$	3.00		3.60	V	1
Supply Current	$I_{CC}$		200	300	mA	1
<b>Transmitter</b>						
Input differential impedance	$R_{in}$		100		$\Omega$	2
Single ended data input swing	$V_{in,pp}$	150		1200	mVpp	
Transmit Disable Voltage	$V_D$	2		$V_{CC}$	V	
Transmit Enable Voltage	$V_{EN}$	Vee		Vee+0.8	V	3
<b>Receiver</b>						
Output differential impedance	$R_{out}$		100		$\Omega$	2
Single ended data output swing	$V_{out,pp}$	300		700	mV	4
LOS Fault	$V_{LOS\ fault}$	2		$V_{CC_{HOST}}$	V	5
LOS Normal	$V_{LOS\ norm}$	Vee		Vee+0.8	V	5

## Mechanical Specifications



Quick access to other products:

[SFP 1G](#) [XFP10G](#) [XFP 10G](#) [QXFP40G](#) [SFP28 25G](#) [QSFP28 100G](#) [DWDM](#)

[www.4-lan.com](http://www.4-lan.com)

## Ordering Information

Part Number	Description
4L-XFB10G2733-20	XFP+ 10GBASE-LR, Tx1270/Rx1330nm, SM, DDM, LC Simplex, 20km
4L-XFB10G3327-20	XFP 10GBASE-LR, Tx1330/Rx1270nm, SM, DDM, LC Simplex, 20km
4L-XFB10G2733-40	XFP 10GBASE-LR, Tx1270/Rx1330nm, SM, DDM, LC Simplex, 40km
4L-XFB10G3327-40	XFP 10GBASE-LR, Tx1330/Rx1270nm, SM, DDM, LC Simplex, 40km
4L-XFB10G2733-60	XFP 10GBASE-LR, Tx1270/Rx1330nm, SM, DDM, LC Simplex, 60km
4L-XFB10G3327-60	XFP 10GBASE-LR, Tx1330/Rx1270nm, SM, DDM, LC Simplex, 60km
4L-XFB10G4955-80	XFP 10GBASE-LR, Tx1490/Rx1550nm, SM, DDM, LC Simplex, 80km
4L-XFB10G5549-80	XFP 10GBASE-LR, Tx1550/Rx1490nm, SM, DDM, LC Simplex, 80km

### Note

This modules have been tested by 4LAN on equipments like Cisco, Juniper, Dell, HP, Mikrotik, Huawei, and other brands. The equipment brand must be informed before shipping the order, so the transceivers are reprogrammed to the corresponding brand.

### Contact Information

Website: [www.4-lan.com](http://www.4-lan.com)

Email: [contato@brazilmkt.com.br](mailto:contato@brazilmkt.com.br)

Telephone: +55 11 5521-2522

Quick access to other products:

[SFP 1G](#) [SFP10G](#) [XFP 10G](#) [QSFP40G](#) [SFP28 25G](#) [QSFP28 100G](#) [DWDM](#)

[www.4-lan.com](http://www.4-lan.com)