

4L-Q284SFP28C

QSFP28 100GBASE to 4x SFP28 25GBASE,
Passive Breakout Direct Attach Cooper Twinax Cable



Applications

- 100G/25GBASE Ethernet
- Enterprise and Datacenter Networks
- Fibre Channel over Ethernet
- Other optical links

Features

- SFF-8432, 8402 and 8665 Compliant
- 1x QSFP28 to 4x SFP28 connectors
- Passive Copper Cable Transceiver
- QSFP28 and SFP28 MSA Compliant
- Up to 25Gbps per channel
- IEEE 802.3 Compliant
- Digital Diagnostic Monitoring
- RoHS and Lead Free
- Operating temperature: 0°C ~ +70°C

Description

The 4L-Q284SFP28C are a passive Direct Attach Breakout Cables (DAC) series with one QSFP28 100G connector on one side and four SFP28 25Gbps transceivers on the other end of the cable. This breakout cable allows to connect one 100G QSFP28 port with four 25G SFP28 ports.

4LAN's DAC cables are designed to connect switches, routers, servers or storage with high performance in a cost effective way.

Quick access to other products:

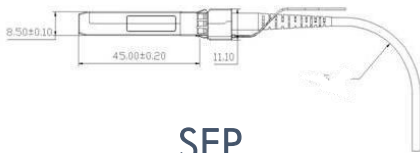
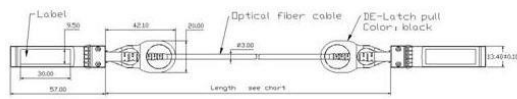
[SFP 1G](#) [SFP+10G](#) [XFP 10G](#) [QSFP40G](#) [SFP28 25G](#) [QSFP28 100G](#) [DWDM](#)

www.4-lan.com

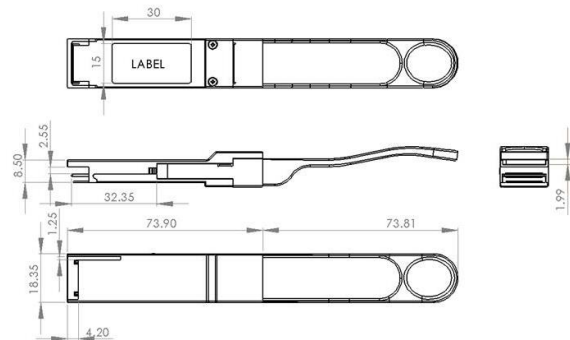
Absolute Maximum Ratings

Parameter	Symbol	Min	Recommended	Max
Max. Link Length	l_{max}			1M up to 5M
Connectors Side A			1x QSFP28 100G	
Connectors Side B			4x SFP28 25G	
Data Rate	Gbps			100Gbps
Storage Temperature	T_c	-40°C		+85°C
Operating Case Temperature	T_c	0°C		+70°C
Supply Voltage	V_{cc}	3.14V	3.3V	3.47V

Mechanical Specifications



SFP



QSFP

Cable Gauge	Diameter	Minimum Bend Radius (R)	Minimum Bend Space (L)
30 AWG	4.2mm	33mm	72.5mm
26 AWG	5.2mm	46mm	72.5mm
24 AWG	6.0mm	42mm	85.25mm

Quick access to other products:

[SFP 1G](#) [SFP+10G](#) [XFP 10G](#) [QSFP40G](#) [SFP28 25G](#) [QSFP28 100G](#) [DWDM](#)

www.4-lan.com

Mechanical Specifications

Plug	
Backshell Material	Nickel-Plated Zinc Diecast
Contact Material	PCBwith Gold-Plated Pads
Latch	Positive Latching w/Pull
Insertion Force	30N Max
Withdrawal Force	20N Max
Retention Force	90N Max
Durability	50 Cycles Min
Cable	
Conductor	Solid
Wire Gauge	AWG30, AWG28, AWG26, AWG24
Impedance	100±5 ohms
Cable OD	AWG 30 :4.2mm
	AWG 28 :4.7mm
	AWG 26:5.2mm
	AWG 24: 6.0mm
Jacket Type	PVC
Bend Radius	5X Cable OD

General Specifications

Electrical	
Min. Dielectric Withstand Voltage	300 VDC
Insulation Resistance	1000 Mohms
Current Rating	0.5 Amp Min/Signal Contact
General	
Operating Temperature	0 to 70°C
Flammability Rating	UL 94 V-0
Green Features	RoHS, Lead-Free
Shield	Braid/Foil

Ordering Information

Part Number	Description
4L-Q284SFP28C1	QSFP28 100G to 4x SFP28 25G Breakout DAC Passive Cable, AWG30, 1m
4L-Q284SFP28C3	QSFP28 100G to 4x SFP28 25G Breakout DAC Passive Cable, AWG30, 3m
4L-Q284SFP28C5	QSFP28 100G to 4x SFP28 25G Breakout DAC Passive Cable, AWG30, 5m

Note

This modules have been tested by 4LAN on equipments like Cisco, Juniper, Dell, HP, Mikrotik, Huawei, and other brands. The equipment brand must be informed before shipping the order, so the transceivers are reprogrammed to the corresponding brand.

Contact Information

Website: www.4-lan.com

Email: contato@brazilmkt.com.br

Telephone: +55 11 5521-2522

Quick access to other products:

[SFP 1G](#) [SFP10G](#) [XFP 10G](#) [QSFP40G](#) [SFP28 25G](#) [QSFP28 100G](#) [DWDM](#)

www.4-lan.com