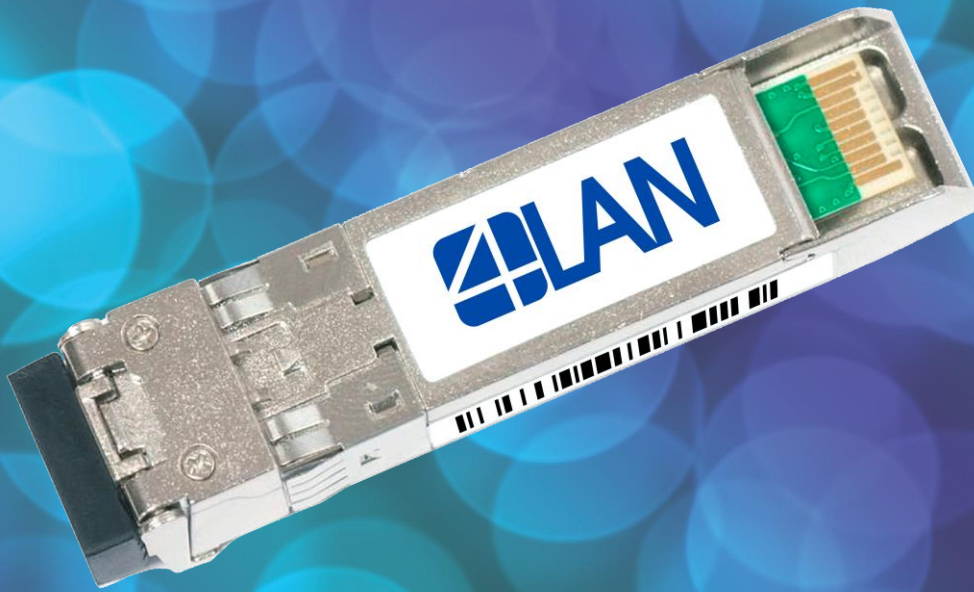


4L-SFP28SR

SFP28 25GBASE-SR, 850nm, MM, DDM, LC Duplex, 100m



Applications

- Compliant with 25GBASE-SR Ethernet
- Infiniband EDR
- Datacenter backbones
- High-speed servers
- SAN, Routers, Hubs, Load Balancer
- High-performance Computing Clusters
- Other optical links

Features

- SFP28 25G Duplex Optical Transceiver
- SFP28 MSA Compliant
- Up to 70m links on MMF OM3 fiber
- Up to 100m links on MMF OM4 fiber
- VCSEL laser transmitter
- Internal CDR on Tx and Rx
- Digital Diagnostic Monitoring
- RoHS-6 and Lead Free
- Operating temperature: 0°C ~ +70°C

Description

The 4L-SFP28SR is a SFP28 transceiver for multimode (MMF) 25GBASE-SR duplex optical data communications.

This modules are designed to operate with multi mode (MMF) and Duplex LC connectors, using the wavelengths 850nm from 0 to 100m depending on the fiber OM3 or OM4.

Quick access to other products:

[SFP1G](#) [XFP10G](#) [XFP10G](#) [QXFP40G](#) [SFP2825G](#) [QSFP28100G](#) [DWDM](#)

www.4-lan.com

General Specifications – Absolute Maximum Ratings

Parameter	Symbol	Min	Recommended	Max
Max. Link Length	l_{max}			70m (OM3 fiber) 100m (OM4 fiber)
Optical Budget	dB	1.6dB		
Storage Temperature	T_c	-40°C		+85°C
Operating Case Temperature	T_c	0°C		+70°C
Supply Voltage	V_{cc}	-0.5V	3.3V	3.6V

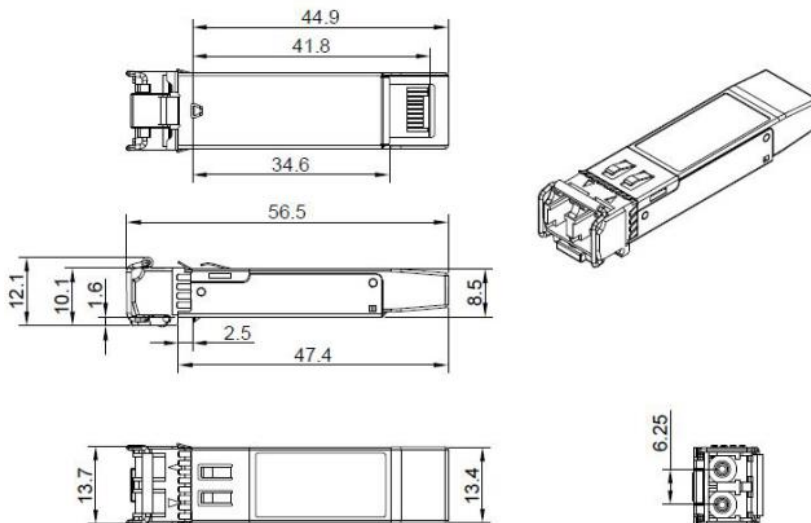
Optical Specifications

Transmitter				
Parameter	Symbol	Min	Recommended	Max
Average Output Power	P_{out}	-8.4dBm		3dBm
Central Wavelength	nm	840nm	850nm	860nm
Receiver				
Parameter	Symbol	Min	Recommended	Max
Receiver Sensitivity	R_{sen}	-10dBm		
Receiver Overload (Damage)	P_{max}			+3dBm
Central Wavelength	Nm	840nm	850nm	860nm

Electrical Specifications

Parameter	Symbol	Min.	Typical	Max	Unit	Ref.
Supply Voltage	V_{CC}	3.00		3.60	V	1
Supply Current	I_{CC}		200	300	mA	1
Transmitter						
Input differential impedance	R_{in}		100		Ω	2
Single ended data input swing	$V_{in,pp}$	150		1200	mVpp	
Transmit Disable Voltage	V_D	2		V_{CC}	V	
Transmit Enable Voltage	V_{EN}	Vee		Vee+0.8	V	3
Receiver						
Output differential impedance	R_{out}		100		Ω	2
Single ended data output swing	$V_{out,pp}$	300		700	mV	4
LOS Fault	$V_{LOS\ fault}$	2		$V_{CC_{HOST}}$	V	5
LOS Normal	$V_{LOS\ norm}$	Vee		Vee+0.8	V	5

Mechanical Specifications



Quick access to other products:

[SFP 1G](#) [XFP10G](#) [XFP 10G](#) [QXFP40G](#) [SFP28 25G](#) [QSFP28 100G](#) [DWDM](#)

www.4-lan.com

Ordering Information

Part Number	Description
4L-SFP28SR	SFP28 25GBASE-SR, 850nm, MM, DDM, LC Duplex, 100m
4L-SFP28LR	SFP28 25GBASE-LR, 1310nm, SM, DDM, LC Duplex, 10Km

Note

This modules have been tested by 4LAN on equipments like Cisco, Juniper, Dell, HP, Mikrotik, Huawei, and other brands. The equipment brand must be informed before shipping the order, so the transceivers are reprogrammed to the corresponding brand.

Contact Information

Website: www.4-lan.com

Email: contato@brazilmkt.com.br

Telephone: +55 11 5521-2522

Quick access to other products:

[SFP 1G](#) [SFP10G](#) [XFP 10G](#) [QSFP40G](#) [SFP28 25G](#) [QSFP28 100G](#) [DWDM](#)

www.4-lan.com